

TR Series Dual Pole 500A Master Disconnect Switch

Cuts all battery power from vehicle electrical systems with applications needing switching of two circuits, or both positive and negative.

- ▶ 500A continuous current rating for each of the two circuits (using 2 x 4/0 input and 2 x 4/0 output cables).
- ▶ Can be used to switch two vehicle voltage circuits simultaneously (24V and 12V).
- ▶ Disconnect a battery or multiple batteries, in either the positive or the negative line.

Ordering Information

Part No.	Description
880175	Master Disconnect Switch TR Dual



Features & Benefits

Ingress protection to IP67 and IP69K means that the switch can be mounted in exposed locations on the vehicle.

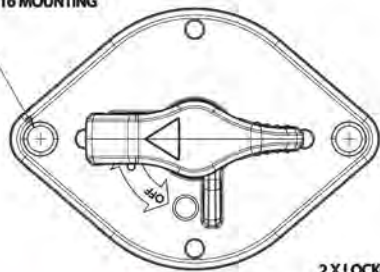
Drop-in replacement for competitive Master Disconnect Switches, with higher vibration and shock capabilities.

Direct lockout/tagout capability in On or Off position, with padlock or hasp.

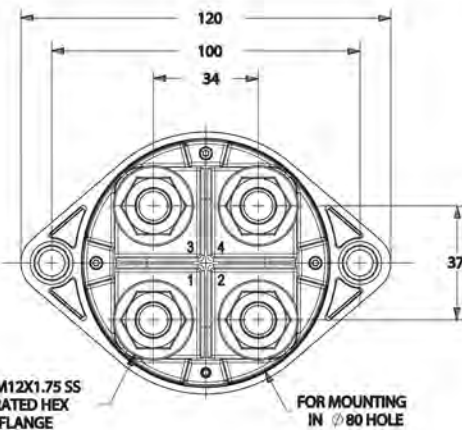
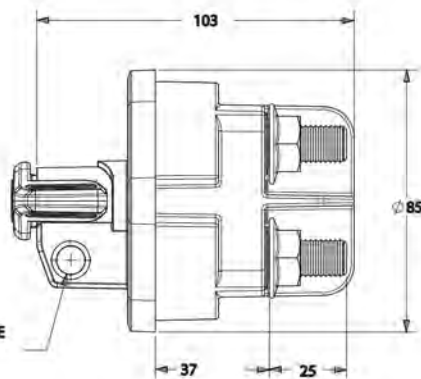


Dimensions

2X \varnothing 8.50 FOR M8 OR 5/16 MOUNTING



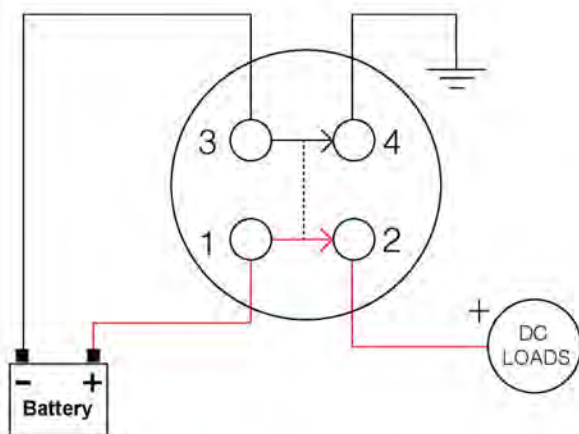
2 X LOCKOUT FEATURE ACCEPTS HASP OR PADLOCK



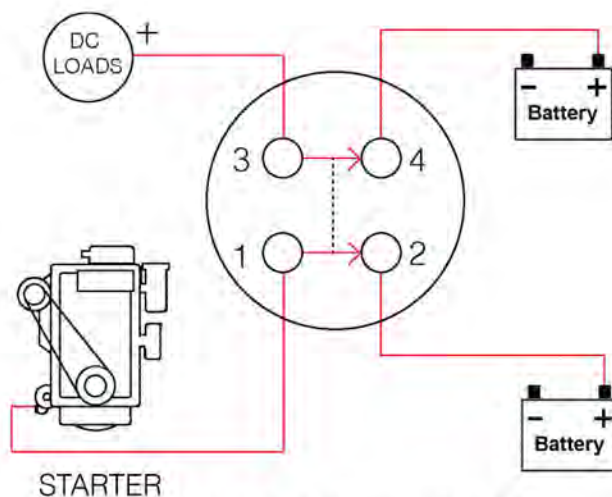
NUT M12X1.75 SS SERRATED HEX FLANGE

FOR MOUNTING IN \varnothing 80 HOLE

Configurations



Master Battery Disconnect Dual Pole
Switching One Battery, Positive and Negative
(shown in ON state)



Master Battery Disconnect Dual Pole
Switching Two Batteries
(shown in ON state)

Specifications

880175	
Max operating voltage	48V DC
Max continuous current	500A per circuit, with 2 x 4/0 input and 2 x 4/0 output cables 350A per circuit, with 1 x 4/0 input and 1 x 4/0 output cables
Cranking rating (30sec)	2250A per circuit, with 2 x 4/0 input and 2 x 4/0 output cables 1750A per circuit, with 1 x 4/0 input and 1 x 4/0 output cables
Inrush rating (1 sec)	3000A per circuit with 2 x 4/0 + 1 x 2 AWG
Terminal stud size	M12 x 25mm. Alternate sizes available. Contact Littelfuse
Temperature range	-50° to 85°C, DC - Rated to 105°C
Humidity	0 – 95% RH
Shock	30 G
Vibration	8 G
Ingress rating	IP67 & IP69K